



**INNOVATIVE TECHNOLOGIES_
ELVIAL PRE-ANODIZING 2IN1_
ELVIAL I² INSULATION TECHNOLOGY_
BE DIFFERENT.**

MINIMAL LOOK STATEMENT.

IT STARTED WITH A CONCEPT.
THAT THE END PRODUCT ACTS
AS THE IDEAL LIAISON BETWEEN
YOUR DESIGN AND ITS CONTEXT
-THE PROJECT AS A WHOLE, THE
NATURAL AND CULTURAL
SURROUNDINGS, YOUR CLIENTS'
SATISFACTION. WHAT IS AN
IDEAL LIAISON THEN? ONE THAT
IS FULLY EFFECTIVE AND DULLY
DISCREET.

THEN IT BECAME AN EXERCISE
IN IMPLEMENTATION. COULD
THE TECHNOLOGIES AND
CONTRIVANCES THAT ENSURE
THE SYSTEM'S EFFICIENCY BE
ACCOMMODATED IN A
DIMINUTIVE FRAME? THEY WERE.
AND THUS MINIMAL LOOK WAS
CREATED.

FREE YOUR IMAGINATION

MINIMAL Look

The highest level of performance is incorporated in the minimal frame.

The result embodies the essence of design; conscripting creative capacities to produce an object that responds to very practical requirements.

- // Stellar appearance with 35mm perimetrical frame and middle mullion
- // A discreet and classy design with reinforcement columns of 10mm visible width
- // Customized multi-point locking system for superior level of security
- // Intelligent water drainage system



MINIMAL LOOK S68.AI²

The system MINIMAL Look S68.AI² with a glazing of 48mm is fitted with all our high end technologies and offers clearly perceptible results with unseen appliances.

Construction typologies

- Angular*
- Successive*
- Meeting style*
- Inwall*



MINIMAL LOOK S52.HI²

The system MINIMAL Look S52.HI² with a glazing of 32mm was designed for buildings accommodated in friendlier weather and moderate climate. It's durability and performance are once more superior.

Construction typologies

- Successive*
- Meeting style*
- Inwall*

MINIMAL Look S68.AI²

Overcoming the challenges our natural and cultural environment presents us is our number 1 priority. This system is especially crafted to withstand.

With a glazing of 48mm it meets the highest standards of energy efficiency and sound insulation.

It is the answer to arduous weather conditions and metropolitan noise.



FREE DOM

Creating a solution that outlasts time, weather and natural elements takes a lot of work, attention to the most minuscule of details and persistence. That's an investment we take up gladly.

The results justify our choice.



POINT OF VIEW

It's not about objects and things.

It's about the way you see quality and perceive concepts.

Let your sight roam freely.

MINIMAL Look S52.SI²

Simple geometric shapes and the blending of interiors with exteriors are the mandates of modern architecture.

Large glass surfaces are the champions of contemporary minimal looks.

Well crafted MINIMAL Look S52 SI² profiles are the champions of large glass surfaces.

52



SI DE GN

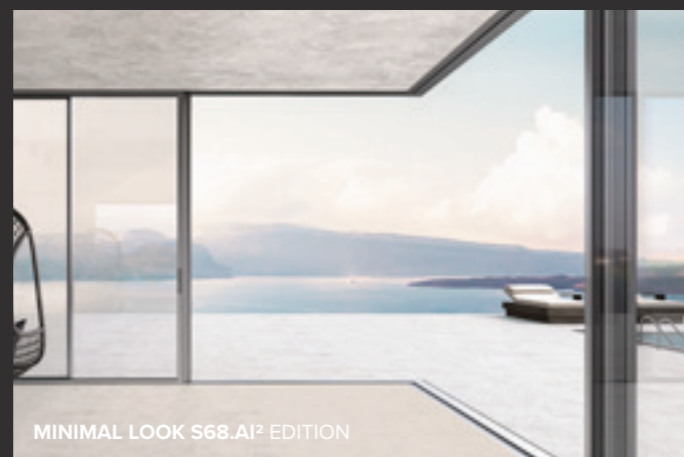
The result is a solution that presents both tangible and intangible benefits. The performance is tangible. The elegance is intangible.

Your design is what will materialize the elegance into ambiance.

Attention to Details.

Pure lines, a discreet but powerful outline around the window of only 35mm and an Avant-Garde Technology, are all combined in the MINIMAL Look system.

Free your imagination and transform a typical sliding system into a unique experience.



MINIMAL LOOK S68.AI² EDITION

MAXIMUM VIEW

Your vision is powerful. You want nothing to hinder it. There's a fine line between what you see when you look inside and when you turn your eyes outside. That fine line is our Minimal Look solution, fitted with all our high end technologies. That fine line is more than enough. It produces perfect, lustrous glass screens and minimally framed 360° views.



MINIMAL LOOK S52.SI² EDITION

INVISIBLE INSIDE-OUT

The ultimate rendition of elegance is invisibility... staying in somebody's memory without catching their eye. This motto inspired the MINIMAL Look S52. Our relentless attention to detail turned the inspiration into reality. The bottom frame is practically hidden in the floor, creating a surface as smooth as the glass it hems at the exterior. At the same time the system blends harmoniously with the interior. This is invisibility; according to ELVIAL.



SHADING JOINED BY AESTHETICS

The MINIMAL Look can be ideally combined with a movable shading system. This ensures maximum sun protection for your space and creates an extra layer of imaging both for the interior concept and the exterior or landscape to be designed. Functional perfection meets aesthetic excellence. You and we wouldn't have it any other way.



POWERFUL DESIGN

Powerful support meets stellar appearance with the perimetrical frame and middle mullion measuring merely 35mm. This perfectly symmetrical solution will be harmoniously coordinated with your design.



FIRM & MINIMAL

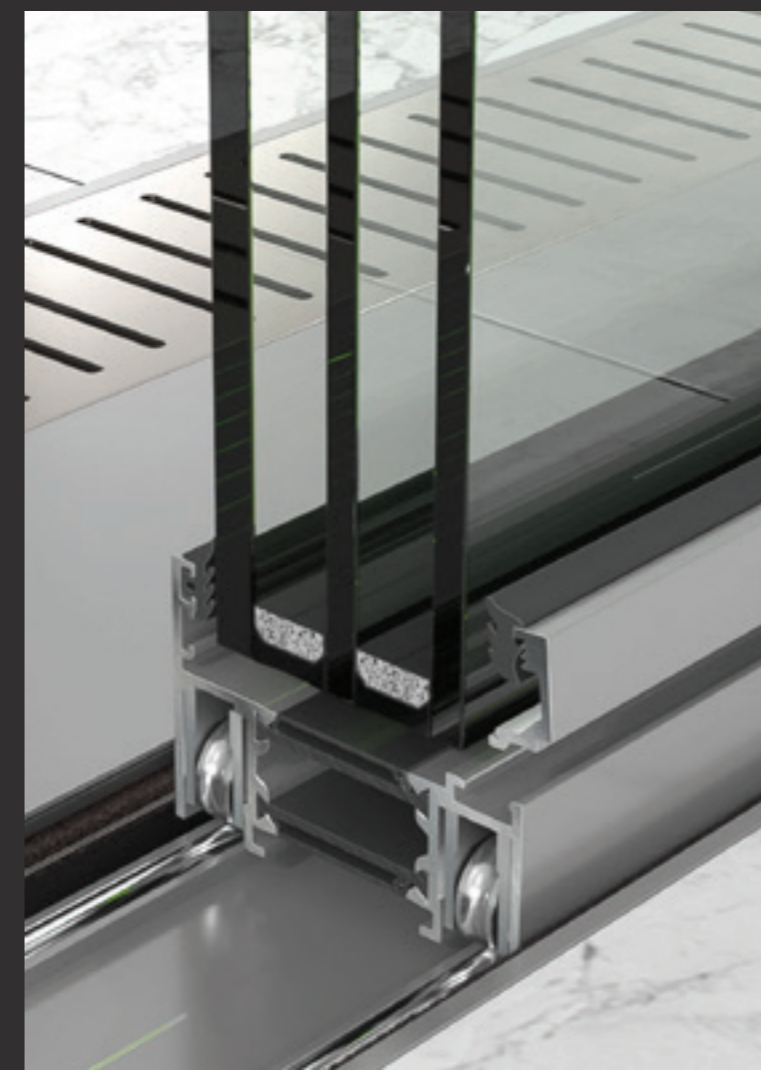
MINIMAL Look comes with reinforcement columns of just 10mm. This makes the middle mullion's section particularly discreet and classy. Its fine and streamlined appearance allows you create beautiful exteriors that do justice to any architectural style -pure or eclectic- you may choose for your construction.

Extra Features.

A ball game in the wrong place at the wrong time?

A sudden movement or vibration?

A party that was way too much fun?
The glass may break but it will not break you.



The replacement of broken glass used to be a proper project, demanding replacement of the profile itself and even detachment of the floor material.

Not anymore.
The MINIMAL Look system allows for quick and cost effective glass replacement.

It's inconspicuous and accommodating.

Extra Features.

The compact aluminium handle is skillfully infixed on the aluminium profile. No piece or part protrudes.

Its even, sleek look outlines the interior view outside, creating a picture perfect frame.

MINIMAL INNER HANDLE



MINIMAL OUTER HANDLE



COLORS



Black



Inox
Satine

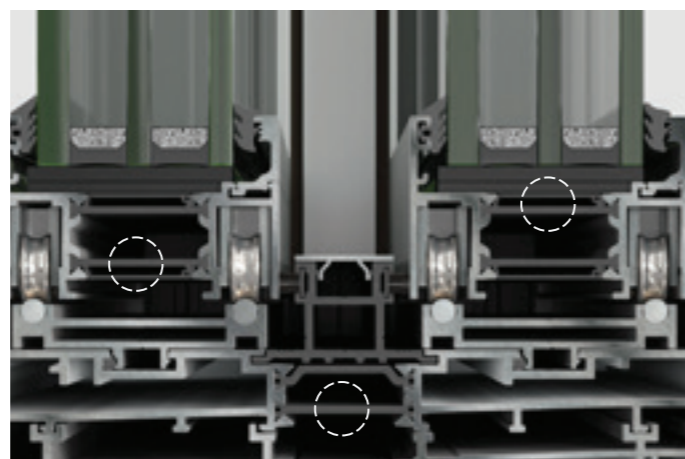


Natural
Anodized

The TECHNOLOGY

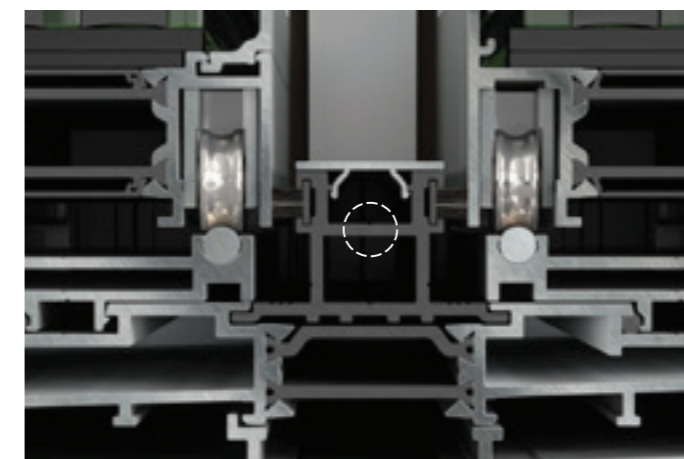
Your projects convey your decision making mastery. We are investing our resources to become the decision that shows you leave nothing to chance; that all your choices add value to your work and the end result that your customer enjoys.

ADVANCED THERMAL INSULATION



34MM [S68] or 18MM [S52] ANTI-DISTORTION INSULATING BARS

A delicious fruit gave its name to an annoying but prevalent attrition of aluminium profiles in hot climates, in great heights or of dark colors. The MINIMAL Look is fitted with anti-distortion insulating bars of 34mm with 25% glass fiber re-enforcement. The 'banana-effect' is minimized. The thermal insulation is maximized.



CUSTOMIZED INSULATING BARS

The central zone and the middle mullion are fitted with customized insulating bars. The system's energy performance is optimized. The constant requirement of projects in temperate and hot climates is met.

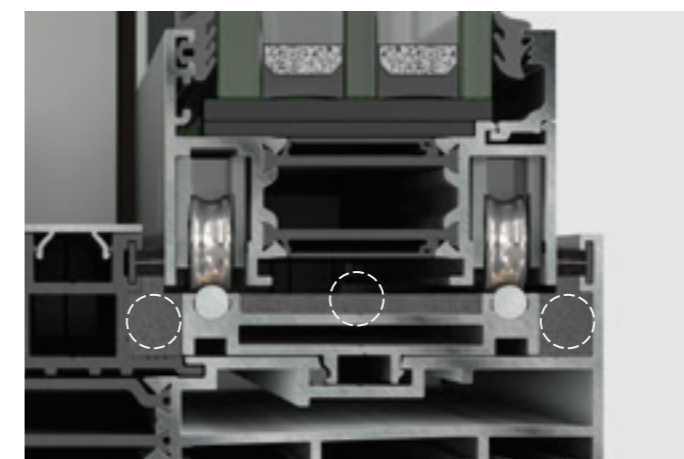
ADVANCED SEALING SYSTEM

MINIMAL Look solutions are designed and equipped to offer sealing and protection of your space from challenging weather conditions. The assembly and quality of components are among the best of their category.



OPTIMIZED AIR AND WATER TIGHTNESS

We fit the MINIMAL Look with Q-Ions and special Tri-fin brushes instead of the prevalent common brushes. The system's air and water tightness are optimized.



A COMPLETE SET OF SEALING SPECIMENS

We added a complete set of innovative sealing specimens, made of cellular rubber to render the window air and water tight.



BUILT IN DRAINAGE SYSTEM

The drainage system of MINIMAL Look is built-in to the floor. It effectively keeps water away without an extra sub-system and it looks perfect.

The TECHNOLOGY

Creating a solution that outlasts time, weather and natural elements takes a lot of work, attention to the most minuscule of details and persistence. That's an investment we take up gladly. The results justify our choice.

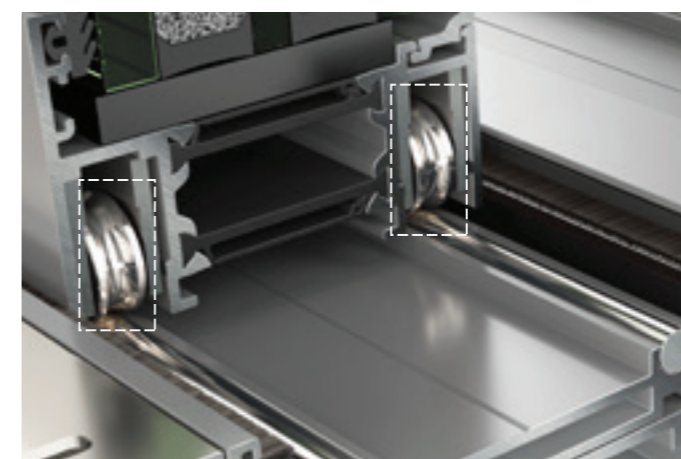
DURABILITY FOR A LIFE TIME



ADVANCED DURABILITY

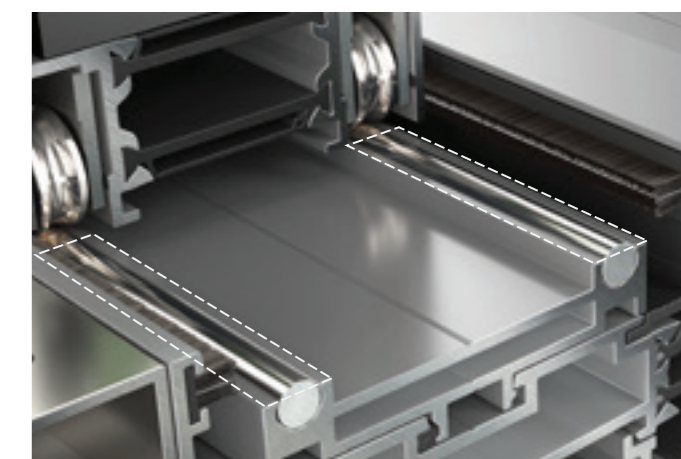
High ceilings let natural light create atmosphere and amplify the effect of expansive space. In climates where sunshine is abundant, the combination of sunshine and great construction height may cause distortions from the "banana effect" mainly in dark coloured aluminium profiles. We have taken special anti-distortion measures.

We apply 34mm [S68] or 18mm [S52] anti-distortion insulating bars with 25% glass fiber re-enforcement to all system sashes. Your space is insulated and your system is resistant... for life!



SMOOTHER ROLLING

Large openings that give your clients great views and us one more challenge to overcome. Ensuring the anti-corrosion protection and the smooth operation of a system with great glass weight. Our solution was the appliance of four pairs of heavy duty stainless steel rollers to the system. The rollers are protected from corrosion. And the system rolls smoothly. For life!



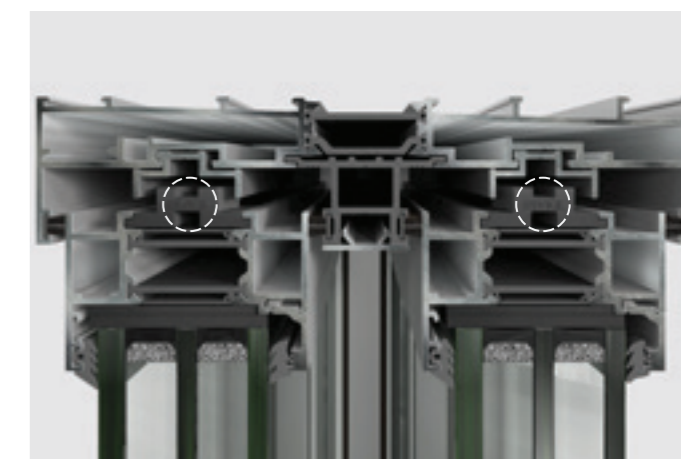
MAXIMUM STRENGTH

Compact 316 stainless steel racks ensure maximum anti-corrosion protection and optimal weight distribution, even of very large glass loads. That's the thing with great style. We want to make sure it lasts forever.



INCREASED ROBUSTNESS

Customized aluminium fixing accessories positioned along the height of the middle vertical mullion, offering extra rigidity of the construction even at large dimensions.



OUTSTANDING FIRMNESS

Customized entry guide accessory, ensuring aligned movement of the sash, even at large openings.

The IDENTITY

It's a feeling. It's precious. What should be kept outside -noise, water, wind- is kept outside. What's inside is safe and sound. This is where we set our boundaries and keep them intact.

		<u>MINIMAL LOOK S68.AI²</u>	<u>MINIMAL LOOK S52.HI²</u>
System depth		68 mm	52 mm
Visible height		35 mm	35 mm
Facing width middle mullion <i>Successive</i>		35 mm	35 mm
Facing width middle mullion <i>Meeting Style</i>		109 mm	109 mm
Facing width middle mullion <i>Fixed T</i>		-	35 mm
Visible height <i>Standard edition</i>		77 mm	77 mm
Max sash height		3.000 mm	3.000 mm
Max sash width		3.000 mm	3.000 mm
Max sash weight		400 kg	400 kg
Glass thickness		48 mm	32 mm



The PERFORMANCE

Create the maximum impact. Enjoy less frame and more of everything else; warmth, comfort, light and scenery

<u>CHARACTERISTIC</u>	<u>STANDARD</u>	<u>VALUE</u>
<u>ENERGY</u>		
Thermal Insulation Uf		≥0.8 - 1.7
<u>COMFORT</u>		
Air Permeability	EN 12207	up to 4 [600Pa]
Water Tightness	EN 12208	up to Class 7A [300Pa]
Resistance to Wind Load	EN 12210	up to C3 / B3 [1.200Pa]
Operating Force	EN 13115	up to Class 1

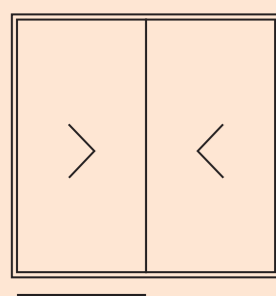
The TYPOLOGIES

MINIMAL Look offers a plethora of construction solutions that will definitely exceed your expectations and deliver projects with unparalleled character.

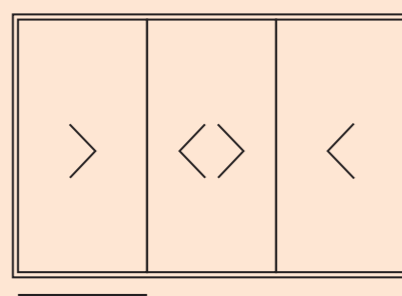


SUCCESSIVE

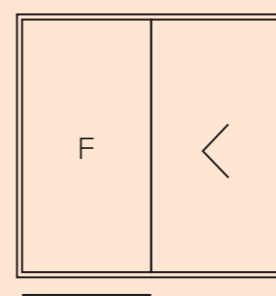
Double sliding sash



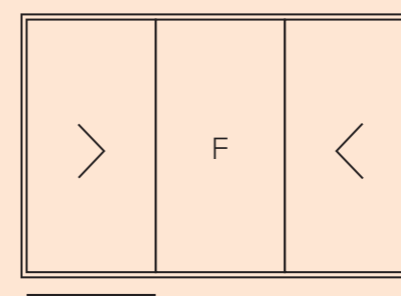
Triple sliding sash



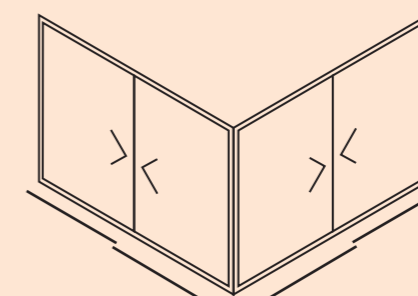
Double sliding sash with fixed



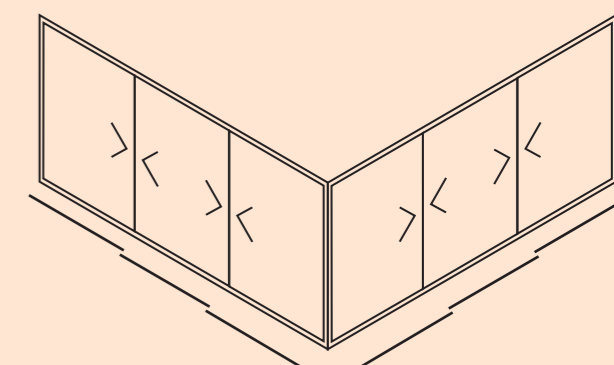
Triple sliding sashes with 1 fixed



Angular typology
[S68 edition]

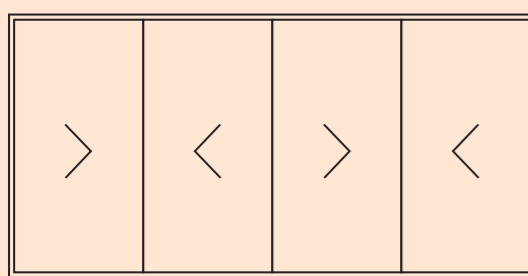


Angular typology
[S68 edition]

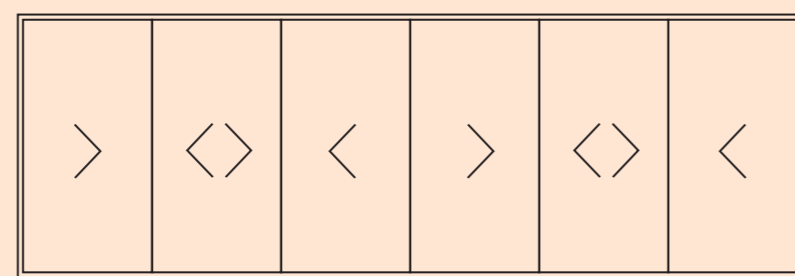


MEETING STYLE

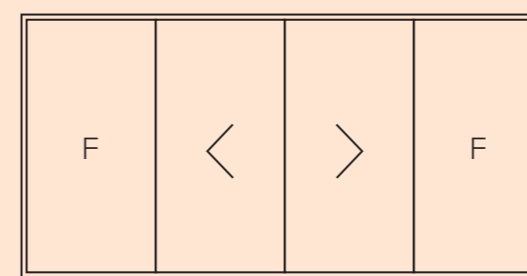
Four sliding sashes



Six sliding sashes



Four sliding sashes with 2 fixed



The FINISHINGS

The right choice of color may uplift the aesthetic result and add value to the building image, contributing, at the same time, to the well-being of everyday users.

There are 2 basic technologies developed for surface treatment. Powder Coating and Anodizing.

BUT if you want to achieve the ultimate combination of these 2 methods the solution is given by Pre-anodizing.

ELVIAL PRE-ANODIZING 2IN1

- // Zero waiting time
- // Spotless environment
- // Robotic handling

THIS IS WHAT ELVIAL Pre-Anodizing 2in1 is all about.

ELVIAL owns the first in Greece and one out of seven worldwide, fully automated serial pre-anodizing and powder coating lines.

ELVIAL Pre-Anodizing 2in1 facility is robotic. No human hand meddles with the materials; the production environment is free of dust and other aggravating factors.

The profiles are subdued to an electrochemical procedure identical to that of anodizing.

STRONGER THAN TIME. STRONGER THAN ELEMENTS.

The aluminum profiles are placed in an underground tunnel and submerged in a sulfuric acid solution. Pre-anodizing produces an anodic substrate on the surface of the aluminum profile that protects it from corrosion.

Then the profiles are serially painted, eliminating waiting time, whilst the pores on the aluminium surface of the profile are completely sealed.

Pre-anodized aluminum profiles are automatically categorized as **Sea Proof Plus**.

ELVIAL Pre-Anodizing 2in1 is uniquely combined with Class 2 Super Durable powder coatings.



Our COLOR COLLECTION

Colors can be playful and eye catching. They can be soothing and encompassing. The hues and textures are of utmost importance because they highlight the design.

We form them keeping in mind prominent architects' preferences and international trends.

This is
ELVIAL COLOR COLLECTION
[Favorites_ Express and Favorites]

CLASS 2 SUPER DURABLE

Do the right choice.

Combine pre-anodizing with class 2 powder coating colours. Achieve maximum anti-corosion and radiance resistance, even under extreme sun light.

The super durable powder coatings are 3 times more resistant to sun radiation and render the profiles practically indestructible.



Our SUPPORT

WE ARE HERE FOR YOU

We always search for technology, for design and beyond that we search for excellence.

We collaborate as a strong team, in order to give you that.

We answer to technical or non-technical questions, we offer a wide range of products always having in mind that you control unique and demanding projects.

We act quickly and instantly because everything we do impacts on your customers; so you need to operate effectively.



ELVIAL FOR YOU

- // Technical manuals
- // dwg and BIM files
- // Section drawings
- // Construction plans and structural calculations
- // Customized solutions in order to fit the specifications
- // Certificates for Uf, wind loads, water tightness, air permeability

However all that matters in the end is the delivered quality. ELVIAL has a certified network of partners, with extensive experience and excellent training that will complete projects in accordance with timelines and high quality standards.

ELVIAL FOR YOUR CLIENTS

- // B2C brochures
- // Samples for colors in order to see and feel finishings and textures
- // Product boxes
- // Reference projects from our product collections

**INNOVATIVE TECHNOLOGIES_
ELVIAL PRE-ANODIZING 2IN1_
ELVIAL I² INSULATION TECHNOLOGY_
BE DIFFERENT.**



elvial.com

windloch.com

While every effort has been made to ensure information accuracy, ELVIAL bears no responsibility for typographic errors or omissions. Copyright © ELVIAL 2021.